

ATLAS LED - Ref. 212400 / 27108471



TECHNICAL CHARACTERISTICS

Brand	VIGNAL
Product Type	Complete lamp
Manufacturer	Claas
Voltage	9/32V
Source	LED
Consumption	11W
Color	Amber / Orange
Connector	ISO DIN 14620B
Fixation	Pole mounting (DIN 14620)
Lens Material	Polycarbonate
Diameter	140 mm
Height	142 mm
Weight	0,55 Kg
Flash Patterns	Rotative
IP protection	IP69K
Polarity	Protected against reverse voltage

www.vignal-group.com - contact@vignal-group.com

France Lyon HQ : +33 (0)4 72 917 917
 France Caen : +33 (0)2 31 74 73 13
 France Le Mans : +33 (0)2 43 50 14 14

Switzerland Rancate : +41 (0) 91 640 50 80
 US Mosinee : +1 715 693 1530
 China Changzhou : +86 137 7686 3469



Print date : 02/11/2024

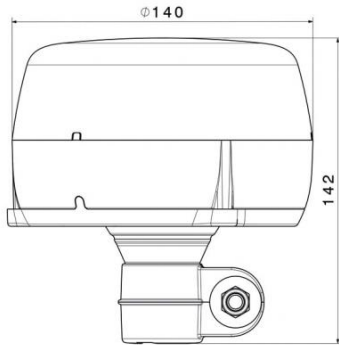
ATLAS LED - Ref. 212400 / 27108471

Operation Temperatures	-40°C to +80°C
EMC	CISPR25 Class 3, ECE R10
ECE	ECE R65
Industry	Agriculture

APPLICATIONS

Manufacturer	Model	Reference	Start date	End date
CLAAS	TRACTORS	27108471	09/2019	
CLAAS	TRACTOR	2710847.3		

OTHER VISUALS



ACCESSORIES

ATLAS LED - Ref. 212400 / 27108471



D14515

**Beacon accessories -
360° rotating socket -
ISO 4148/4165**



D14516

**Beacon accessories -
Telescopic extension
rod 80/135cm for
beacons -...**



D14514

**Beacon accessories -
Socket with central
clamp - ISO 4148/4165**



D14513

**Beacon accessories -
Socket to be screwed -
ISO 4148/4165**